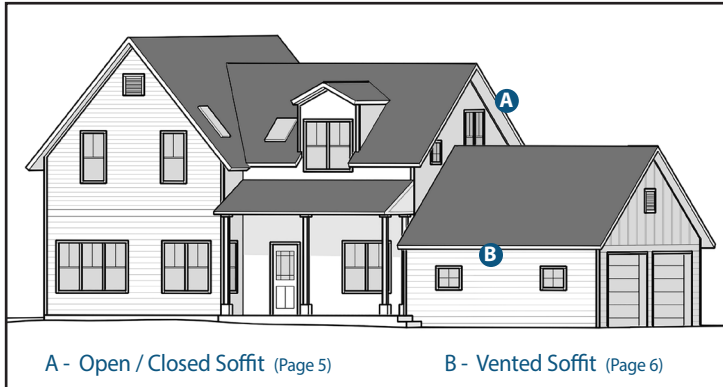


LP SmartSide Soffit

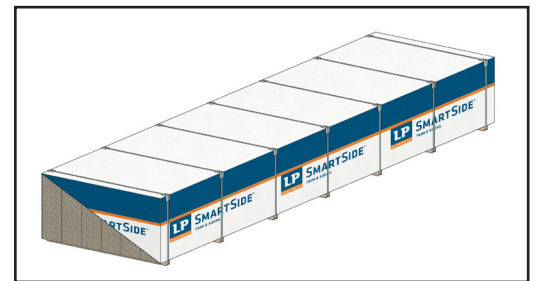
Application Instructions
Vented and Non-Vented
Smooth Finish or Cedar Texture



ON SITE STORAGE

- Store off the ground well supported, on a flat well-drained surface. Store products under a roof or separate waterproof covering. (See diagram 1a)
- Additional support may be required to achieve a safe clearance from the ground.
- When the waterproof covering is removed, cut all unit banding.
- Keep soffit clean and dry. Inspect prior to installation.

1a



PREPARATION

General Information

- LP SmartSide strand substrate soffit has achieved code recognition by APA in accordance with PR-N117 as Rated Sheathing/Ceiling Deck. Product Report is available at www.lpcorp.com.
- LP's application instructions describe the minimum requirements needed to assure LP SmartSide limited warranty coverage.
- Failure to follow the LP application instructions could result in reduced product service life and may lead to denial of coverage under the LP SmartSide limited warranty.

LP SmartSide Soffit

PREPARATION

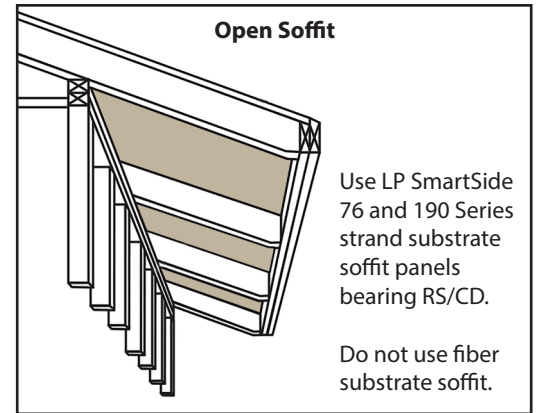
Before You Begin

- All exposed wood substrate must be sealed in a manner that prevents moisture intrusion and water build up. To achieve this, use primer, paint, sealant and flashings as follows in these application instructions.
- Attach soffit products only to framing members which have been kiln dried or air-seasoned to a moisture content of 19% or lower.
- Do not install soffit over crooked framing materials.
- LP SmartSide Soffit products are not designed for and are not suitable for use as siding or trim.
Exception: 8 ft. long and 9 ft. long fiber substrate soffit panels. Reference the stamp rating on the back of the panel.
- **Soffits must not be in direct contact with masonry, concrete, brick, stone, stucco or mortar.** Backer rod is recommended to properly space materials at these location.
- **Do not use staples**

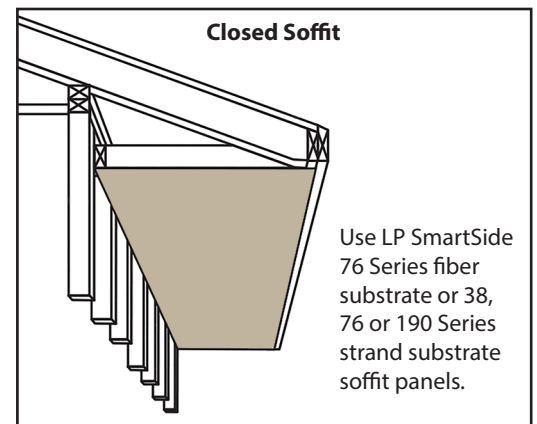
Limitations

- 76 and 190 Series 4 ft. wide strand soffit carries a structural sheathing trademark in addition to its trademark for soffit applications. [Diagram 2a](#) shows a structural decking application with a 76 or 190 series Soffit/RSCD panel installed with the high appearance value, primed surface facing towards the open framing. Installation shall conform to roof sheathing installation requirements per the local code. This panel must bear a Rated Sheathing/Ceiling Deck trademark with span rating. Use within the limitations of the span rating.
- 38 Series strand and 76 Series fiber soffit panels do not bear Rated Sheathing/Ceiling Deck trademarks and are not acceptable for structural deck applications. They are designed for use in applications seen in [diagrams 2b and 2c](#).
- Factory manufactured Cut-To-Width soffit is approved for use in closed soffit applications only. (See [diagrams 2b and 2c](#))
- Field prepared Cut-To-Width soffit should comply with local building codes.
- If soffit panels need to be field-cut to width, cut them 3/8 inch less than full width so you can leave a 3/16 inch space on each side.
- Space all end and edge joints 3/16 inch and apply sealant.

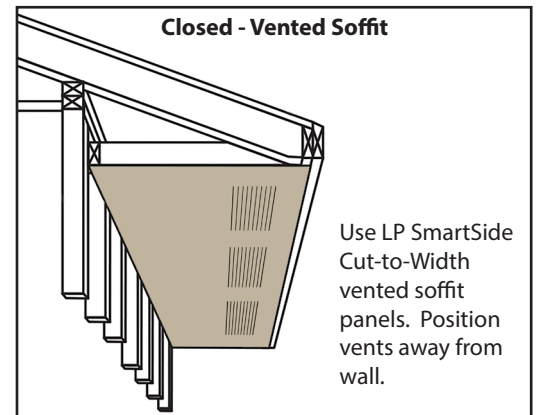
2a



2b



2c



PREPARATION

General Application Equipment

LP SmartSide CTW, Vented CTW and Soffit Panels (Long Dimension Across Supports)		
Maximum Span (inches) All Edges Supported	Product Category	Minimum Nail Size and Type
24	38 Series Strand Substrate	6d (0.099") hot-dipped galvanized or equal
24	76 Series Strand & Fiber Substrate	8d (0.113") hot-dipped galvanized or equal
24	190 Series Strand Substrate	8d (0.113") hot-dipped galvanized or equal

CONDITION		CORRECTION	
Snug		OK	
Flush		OK	
Visible Fiber		Paint	
Countersunk 1/16 - 1/8 inch		Apply Sealant	
Countersunk more than 1/8 inch		Apply Sealant and re-nail	

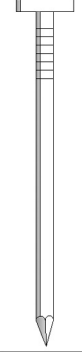


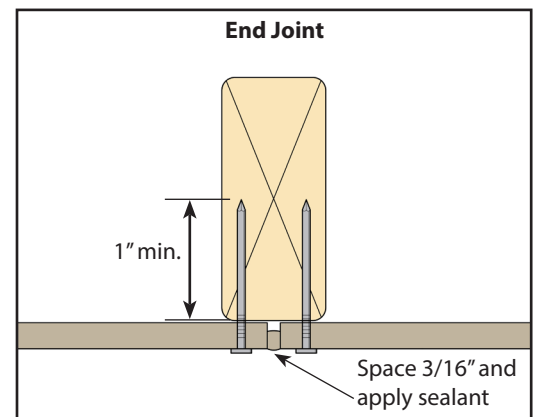
Table 3a

- **Fasteners:** 6d (0.099") or 8d (0.113") non-staining, hot-dipped galvanized (ASTM A-153) or equal. Apply and correct overdriven nails as shown in Table 3a.
- **Sealant:** Use an exterior-quality, non-hardening, paintable sealant. Use Class 25 or higher exterior sealant meeting the ASTM C920 Standard for Specification for Elastomeric Joint Sealants. Follow the sealant manufacturer's instructions for application.
- **Paint:** Exterior-quality 100% acrylic latex paint, specially formulated for use on wood and engineered wood substrates, is highly recommended. Semi-gloss or satin finish oil or alkyd paints are acceptable. For flat alkyd paint, please check with the coating manufacturer for their recommendations for use on composite wood siding.

INSTALLATION

Standard Fastening Instructions

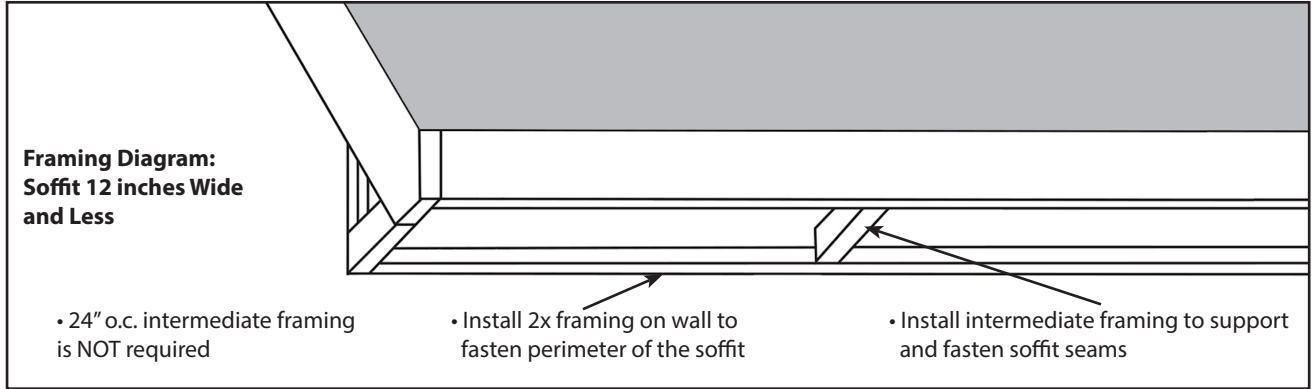
- **Framing:** A maximum of 24 inch o.c. intermediate support is required for soffit greater than 12 inches wide. 24 inch o.c. intermediate support is NOT required for soffit 12 inches wide and under. (See diagrams 4a and 4c)
- Framing shall be of sufficient size and quality to securely attach the soffit. Installer is responsible for ensuring all framing meets local building code requirements.
- All panel ends and edges must be supported or backed by solid support. Additional blocking may need to be installed. Complete perimeter framing support is required for all soffit.
- Panels must be installed perpendicular to framing supports, except in open soffit applications over gabled eaves.
- **Fastener length:** Long enough to fully penetrate framing support a minimum of 1 inch. (See diagram 3b)
- **Fastener placement:** 3/8 inch from ends and edges.
- **Fastener spacing:** Space nails a maximum of every 6 inches o.c. at panel edges and a maximum of every 12 inches o.c. along intermediate supports. (See diagrams 4b and 4d)
- For information on fastening LP® SmartSide® soffits in high wind speed areas, refer to APA PR-N117 and/or NER-626 found at www.lpcorp.com.



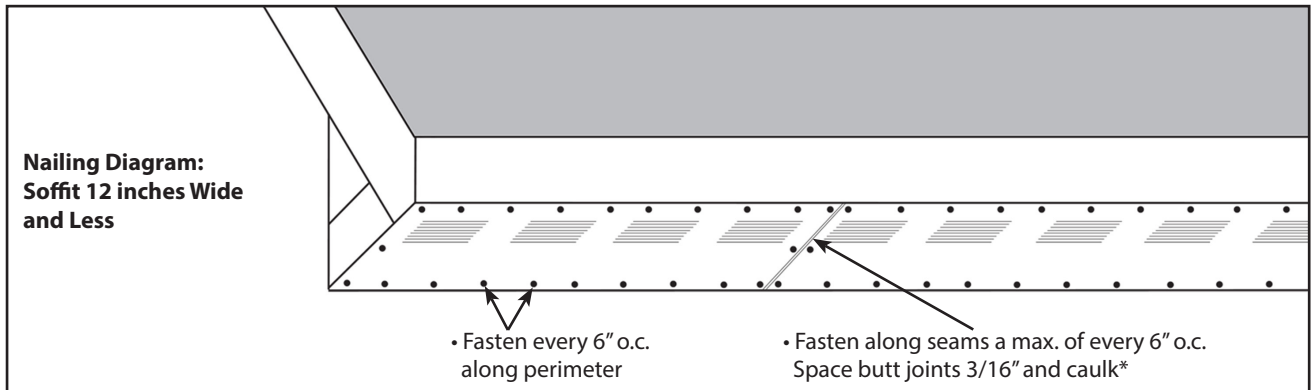
3b

INSTALLATION

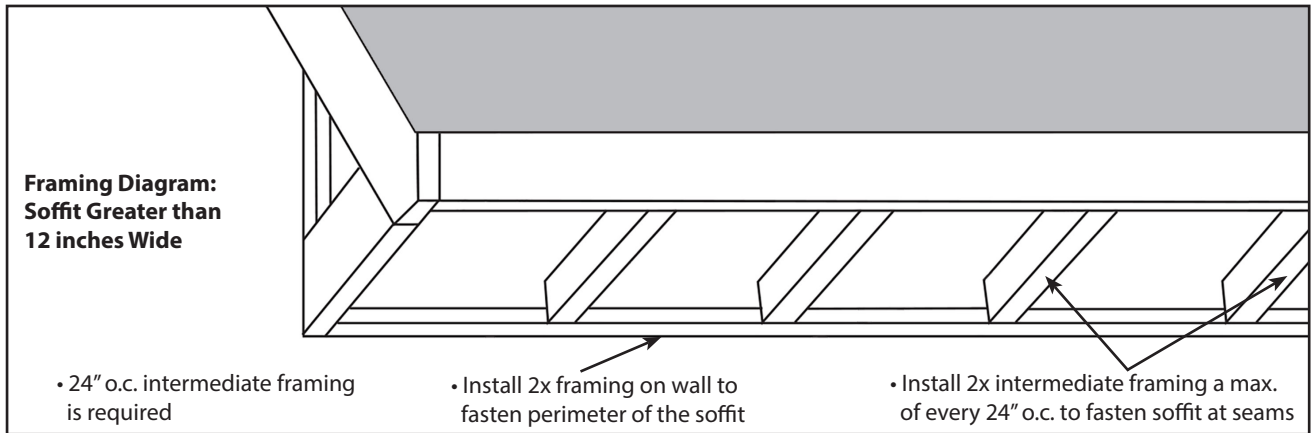
4a



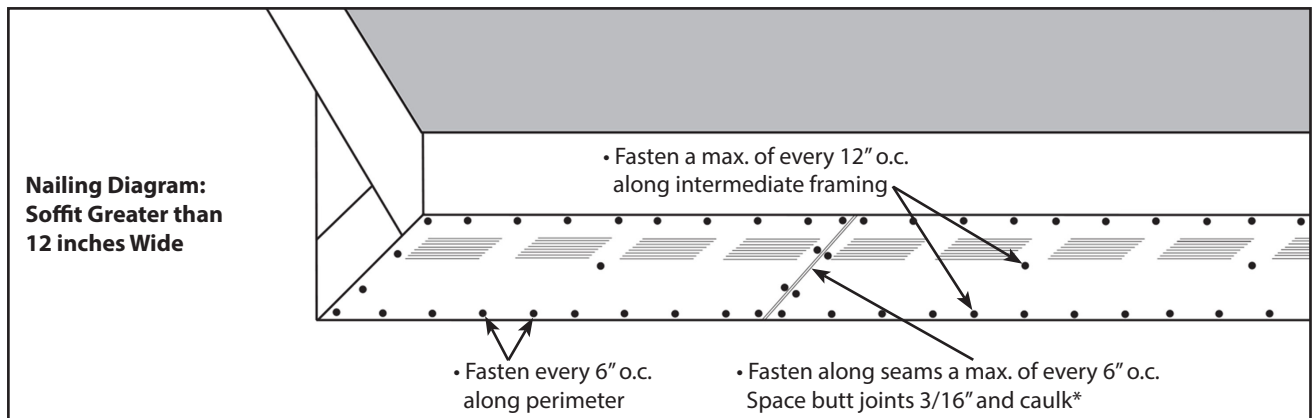
4b



4c



4d

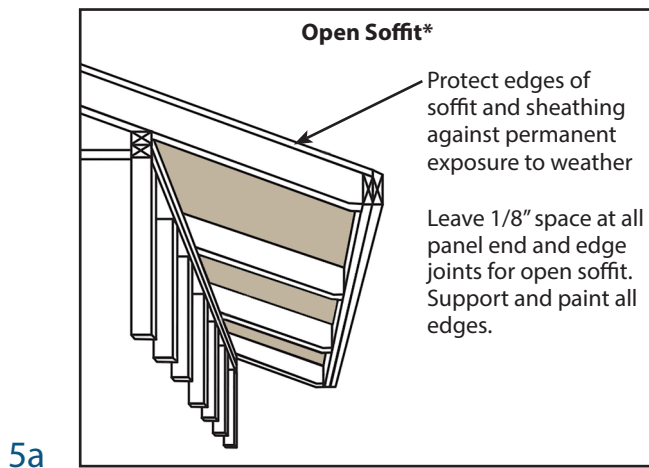


*If joint moulding option is selected, add the thickness of the web to the gap allowing a net 3/16" space for expansion.

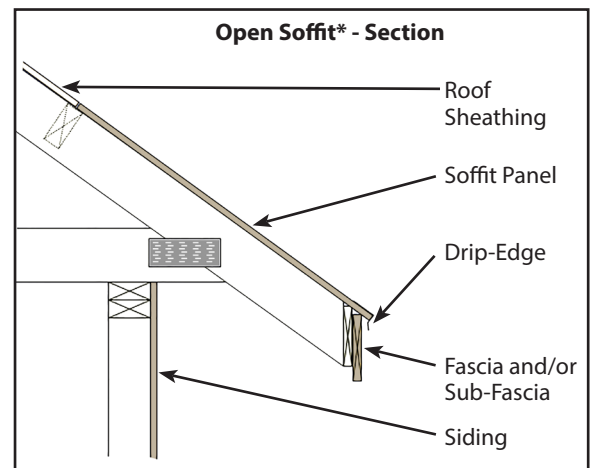
INSTALLATION

Open & Closed Soffit

- Consult your local building code for open soffit applications.
- Recommended spans for open and closed soffits are given in Table 3a. The recommendations in Table 3a for open soffits also apply to combined roof/ceiling construction. Panels are assumed continuous over two or more spans with the long dimension or strength axis perpendicular to supports for both applications. (See Table 3a)
- In open and closed soffit construction, protect panel edges against direct exposure to the weather with LP SmartSide trim and fascia. Apply LP SmartSide soffit in a manner that prevents moisture intrusion and water build-up. All openings, other than the vents, must be primed, painted and caulked.
- **Open Soffit:** 76 and 190 Series strand substrate 4 ft. x 8 ft. soffit panels may be used face down as the first row of roof sheathing. Like any roof sheathing, the panels need to be installed perpendicular to the rafters. The only difference versus the rest of the sheathing is that soffit panels need to be supported along all four edges by solid blocking. Run 2x4 blocking between the rafters so you can nail the soffit to the blocking. Leave a 1/8 inch space between the edges and ends of the panels. Nail each panel 6 inches o.c. at the edges and 12 inches o.c. along intermediate supports. (See diagrams 5a and 5b)
- **Closed Soffit:** If soffit panels need to be field-cut to width, cut them 3/8 inch less than full width so you can leave a 3/16 inch space on each side. At all edges and ends, leave a 3/16 inch space and apply sealant. Nail the panels 6 inches o.c. at the edges and 12 inches o.c. in the field. (See diagrams 5c and 5d)

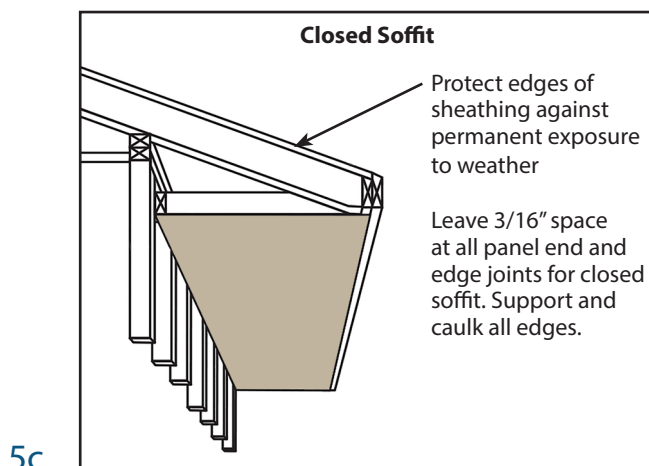


5a

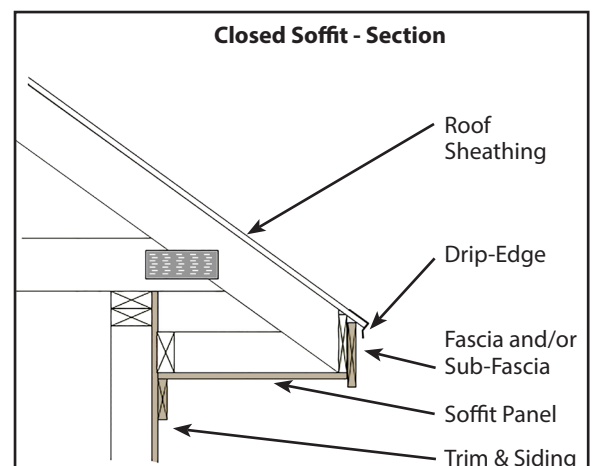


5b

***Do not use 76 Series fiber substrate soffit or 38 Series strand substrate soffit in open soffit applications**



5c



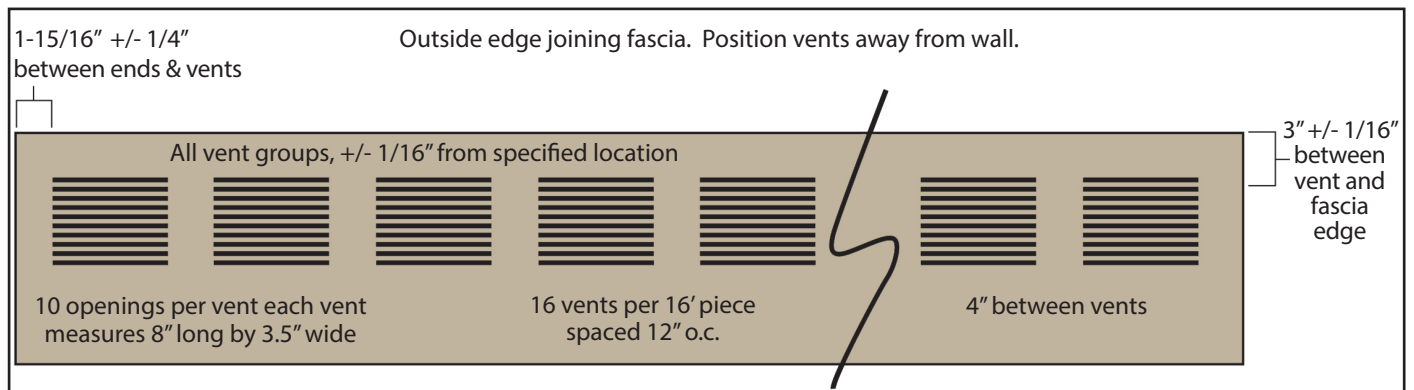
5d

INSTALLATION

Vented Soffit

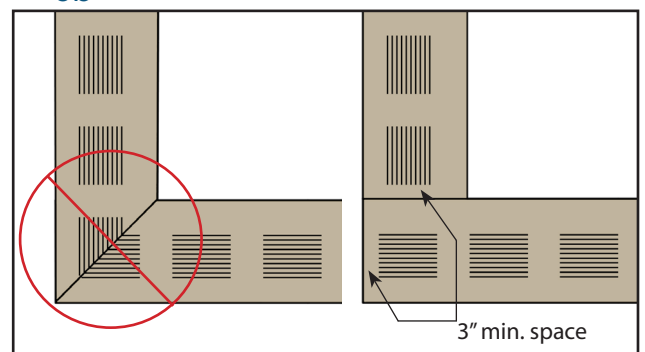
- Vented Cut-To-Width (CTW) soffit provides ventilation of 10 square inches per linear foot from the factory.
- Exhaust ducts shall terminate not less than 3 ft. in any direction from openings in vented soffit. Refer to your local code.
- When cutting soffit panels with a circular saw, orient the texture face down and fully support and brace to reduce vibration.
- Layout and install vented soffit in a manner that reduces or eliminates the need to cut through the vents. All soffit edges must be supported or backed by minimum 2x support. (See diagrams 6b to 6d)
- If the panels need to be field-cut to width, cut them 3/8 inch short to leave a 3/16 inch gap on each side. At all edges and ends, leave a 3/16 inch space and apply sealant. Nail the panels 6 inches o.c. at the edges and 12 inches o.c. along intermediate supports. Always prime and paint all exposed edges.
- The spokes within the vent may distort slightly during equilibration with the local environment. This condition is temporary and the spokes will straighten.

6a

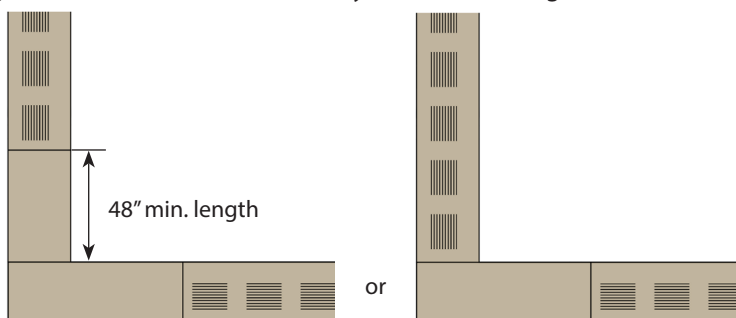


- Vented Corner with Square-Cut Ends: (See diagram 6b) Run vented soffit all the way to the corner and butt the straight-cut edges of the soffit without cutting through the vents. Make sure that the vents do not land closer than 3 inches from the end or corner. Do not make diagonal cuts through the vents.
- Non-Vented Corner with Square-Cut Ends: (See diagram 6c) You may use both vented and non-vented soffit in your design. For this layout you will use the vented soffit to span the straight runs, and use the non-vented soffit to cover the corners. By using non-vented corner pieces that are square-cut you can layout the soffit for either a symmetrical or non-symmetrical look. All soffit lengths must span a minimum of 48 inches.
- Non-Vented Corner with Diagonal-Cut Ends: (See diagram 6d) The diagonal joint must be supported by framing and properly fastened.
- If building codes require a certain ratio of soffit ventilation that requires you to utilize ventilation space at corners, your options might be limited. Be sure to follow your local building codes.

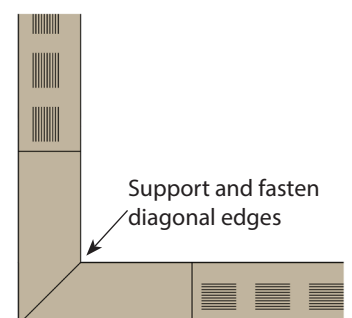
6b



6c



6d

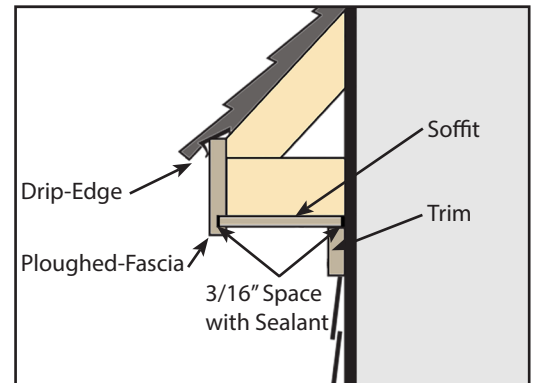


INSTALLATION

LP® SmartSide® Ploughed-Fascia with LP® SmartSide® Soffit

- LP SmartSide Ploughed Fascia is a trim product available in fiber substrate.
- Applying LP SmartSide Soffit with LP SmartSide Ploughed Fascia is approved for closed soffit applications only. The ploughed groove in the fascia receives the outside edge of the soffit. You must still maintain a minimum 3/16 inch space around all ends and edges of the soffit, and apply sealant. (See diagram 7a)
- Before installing be sure that the soffit framing is straight, square and level. Fasten the LP SmartSide Ploughed Fascia meeting the specifications in the LP SmartSide Trim and Fascia Application Instructions.
- All panel ends and edges must be supported or backed by solid support. Additional blocking may need to be installed.

7a



Finishing Instructions

DO

- Prime all exposed wood substrates before painting.
- Paint all exposed soffit surfaces.
- Thoroughly paint the bottom edges of soffit especially all cut ends next to the roof line.
- Apply paint as soon as possible and within 180 days of application.
- Follow the coating manufacturer's application and maintenance instructions.

Do Not Use:

- Semi-transparent stain.
- Shake and shingle paints.
- Vinyl-based resin formulas such as vinyl acetate, PVA, vinyl acetate/acrylic copolymer paints.

CAUTION:

HANDLE PREFINISHED LP SMARTSIDE PRODUCTS WITH EXTREME CARE DURING STORAGE AND APPLICATION. TOUCH UP ANY DAMAGE TO THE FINISH THAT MAY OCCUR DURING APPLICATION PER PREFINISHERS SPECIFICATIONS.

LIMITED WARRANTY

The Louisiana-Pacific Corporation ("LP") LP® SmartSide® soffit (the "Products") limited warranty (the "Warranty") applies only to structures on which the Products have been applied, finished and maintained in accordance with the published application, finishing and maintenance instructions in effect at the time of application. Products affected by a failure to follow such application, finishing or maintenance instructions ("Affected Products") will be excluded from coverage under the Warranty.

LP assumes no liability for any loss or damage caused by the Affected Products and is expressly released by the purchaser or owner from any such loss or liability.

Any modification of the Warranty or the application, finishing and maintenance requirements is void unless approved in writing by LP prior to application.

For a copy of the warranty or installation and technical support, visit the LP Web site at:
WARRANTY REMEDIES ARE NOT AVAILABLE IF REQUIREMENTS ARE NOT FOLLOWED.

www.lpcorp.com

or for additional support call 800-450-6106

Cal. Prop 65 Warning: Use of this product may result in exposure to wood dust, known to the State of California to cause cancer.



Louisiana-Pacific Corporation
414 Union St.
Nashville, TN 37219

www.lpcorp.com
www.lpSMARTSIDE.com

© 2016 Louisiana-Pacific Corporation. All rights reserved. LP and SmartSide are registered trademarks of Louisiana-Pacific Corporation. Printed in U.S.A.

NOTICE: Louisiana-Pacific Corporation periodically updates and revises its product information. The information in this document is subject to change without notice. To verify that this version is current, call 800-450-6106.